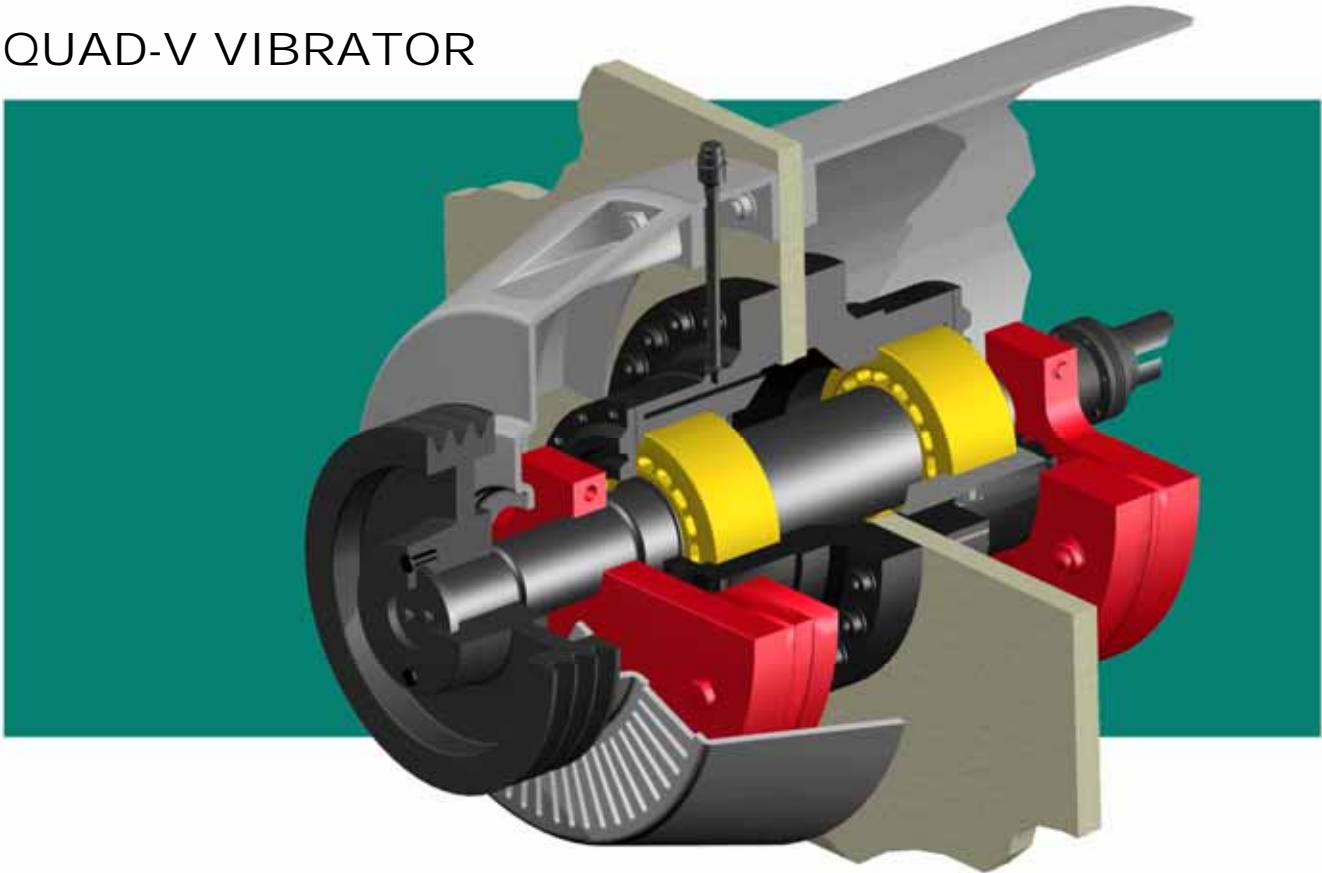




## QUAD-V VIBRATOR



MINING



AGGREGATES



FOUNDRY



IRON & STEEL



The Quad-V vibrator is used on screens 3 meters wide or more and is specifically used on high volume applications. Each vibrator has 2 double row, spherical roller bearings with bore sizes upto 140mm.

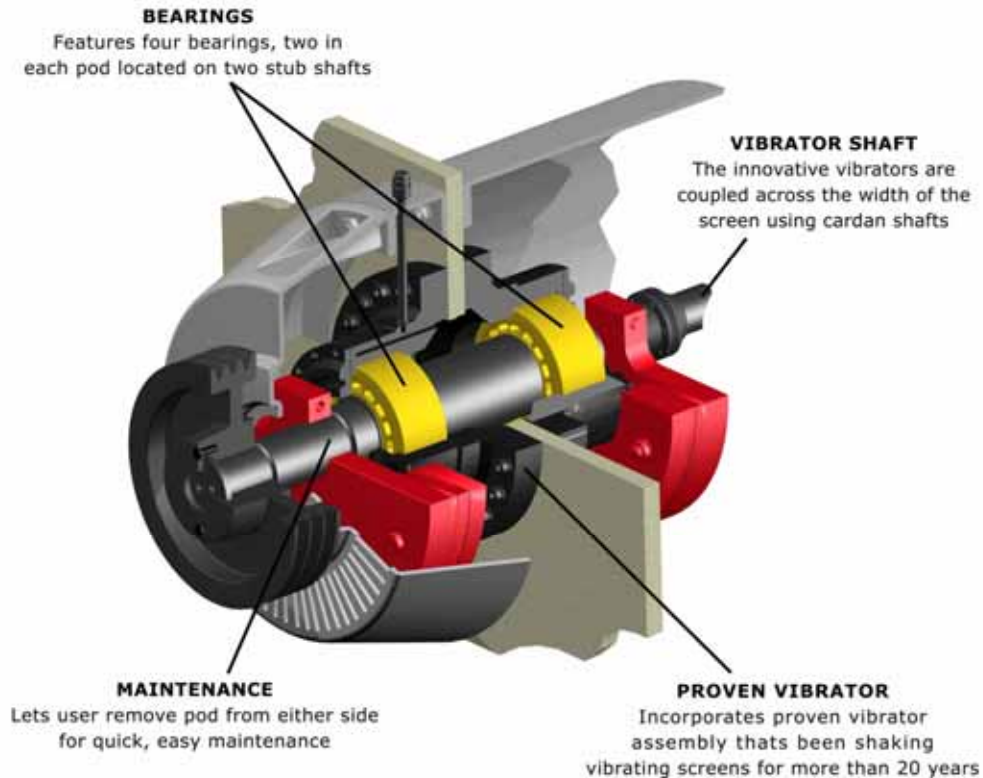
Drive to the vibrators can be either through cardan shafts or using V-Belts which enables live mounting of the motors on the top of the machine, making a completely self contained installation.

Designed for dependability even with constant exceptionally high rate of production, maintenance costs are low with the simply designed Quad-V screen. Most maintenance aspects on the Quad-V can be handled by semi-skilled users.

The innovative vibrators are coupled across the width of the screen using cardan shafts which gives more space between decks making them easier to remove.



## QUAD-V VIBRATOR



Inclined screens use a single or double pair of vibrators mounted through the centre of gravity of the machine to impart a circular motion. A modified circular motion can be achieved when the vibrators are mounted on top of the screen. For low-angle and horizontal installations two pairs of vibrator mechanisms are run in contra-rotating directions to impart an elliptical motion. The Quad-V mechanism can be mounted either through or above the screen to impart different types of motions.

