



De-watering Screens



Standard Sizes – All sizes available in multi-deck

0.70m Wide	0.90m Wide	1.25m Wide	1.60m Wide	1.80m Wide	2.20m Wide	2.50m Wide
1.50m Long	1.50m Long	3.00m Long	3.60m Long	4.20m Long	4.80m Long	4.80m Long
2.00m Long	2.00m Long	3.60m Long	4.20m Long	4.80m Long	6.00m Long	6.00m Long
2.50m Long	2.50m Long	4.20m Long	4.80m Long	6.00m Long	7.20m Long	7.20m Long
3.00m Long	3.00m Long	4.80m Long	6.00m Long	7.20m Long	8.40m Long	8.40m Long

Hewitt Robins design dewatering screens for numerous applications and the local sales office may be contacted for information on any size not listed below :-

Hewitt Robins International Limited

Huntingdon Court, Huntingdon Way, Measham, Swadlincote, Derbyshire, DE12 7NQ, United Kingdom, Tel: +44(0)1530 272799, Fax: +44 (0)1530272787, E-mail: sales@hr-int.co.uk, www.hewittrobins.co.uk

www.trf.co.in

TRF Limited

Head Office & Works : 11, Station Road, Burma Mines, Jamshedpur-831007, Jharkhand, Phone : 91-657-3046500 / 598, 91-657-2345693 Fax : 91-657-2345732

Marketing :

Bulk Material Handling System

Cell : +91-9334002278
Ph : +91-657-3046242 / 229
Fax : +91-657-2345733
E-mail : dcjha@trf.co.in

Bulk Material Handling Equipment

Cell : +91-9304813194
Ph : +91-657-3046365 / 216
Fax : +91-657-2345724
E-mail : r.n.sinha@trf.co.in

Balance of Plant

Cell : +91-9836940240
Ph : +91-33-44033504
E-mail : ranjit.sanyal@trf.co.in
Cell : +91-9836908787
E-mail : dhiraj.fanish@trf.co.in

Port & Yard Equipment Division

Cell : +91-9334002284
Ph : +91-3344033504
Fax : +91-3344033597
E-mail : p.tibdewal@trf.co.in

Regional Offices :

KOLKATA

Block-D, 3rd Floor,
22, Camac Street, Kolkata-700016
Ph : +91-33-44043611
E-mail : debasis.sarkar@trf.co.in

NEW DELHI

Himalaya House, 5th Floor, 23,
Kasturba Gandhi Marg, New Delhi-110001
Ph : +91-11-23310788/23314540
Fax : +91-11-23722447
E-mail : nd@trf.co.in

MUMBAI

Magnet House, 1st Floor, Narottam Morarji
Marg, Ballard Estate, Mumbai-400038
Ph : +91-22-22616853 / 22641320
Fax : +91-22-22614085
E-mail : mum@trf.co.in

HYDERABAD

Flat No. 601, 6th Floor, Paigah Plaza,
Basheerbagh, Hyderabad-500063
Ph : 91-40-23297630 / 31
Fax : 91-40-23297363
E-mail : hyd@trf.co.in



MINING



AGGREGATES



FOUNDRY



IRON & STEEL

Features

- ▶ The Hewitt Robins Dewatering Screens are designed for removal of surface moisture from materials to enhance product quality.
- ▶ The inclination of a Hewitt Robins dewatering screen ranges between 2-5 degrees uphill angle which gives a final moisture content of around 5-15% and makes the product most suitable conveying.
- ▶ Hewitt Robins can supply Dewatering Screens ranging from capacities as little as 10tph to as high as 450tph. Hewitt Robins have experience in processing materials ranging from crushed stones, metallic ores, slag to coal, potash, rock salt and even wood chips.
- ▶ Hewitt Robins Dewatering Screens also find specific application in pre-wetting, de-sliming and draining.

Designed to suit numerous application –

The majority of Hewitt Robins Dewatering Screens supplied are designed to suit the application. However our standard size of screens ranges from 700mm to 2500mm in width and from 1500mm to 8400mm in length.

Umbex Dewaterers :- For smaller applications Hewitt Robins can offer the more economical Umbex de-waterer which is driven by a single or twin low noise outer-balance motor. The material is fed into the lined feedbox of the Hewitt Robins Dewatering Screen and due to the uphill angle of the screen the drier material discharges over the end of the screen and water squeezes through the deck giving the product a lower moisture content.

The simple design and use of the highest quality materials ensures that Hewitt Robins Dewatering Screens keep working productively through years of continuous use with minimum downtime.

At the heart of every Hewitt Robins Dewatering Screen is an Eliptex vibrator unit. The elliptical/linear motion vibrator unit can have either 2 or 4 shafts depending on the duty. The Eliptex vibrator unit has a proven worldwide reputation for unmatched reliability and durability (long life) which requires minimal servicing. The vibrator unit is mounted above the machine and can be un-bolted easily if required.

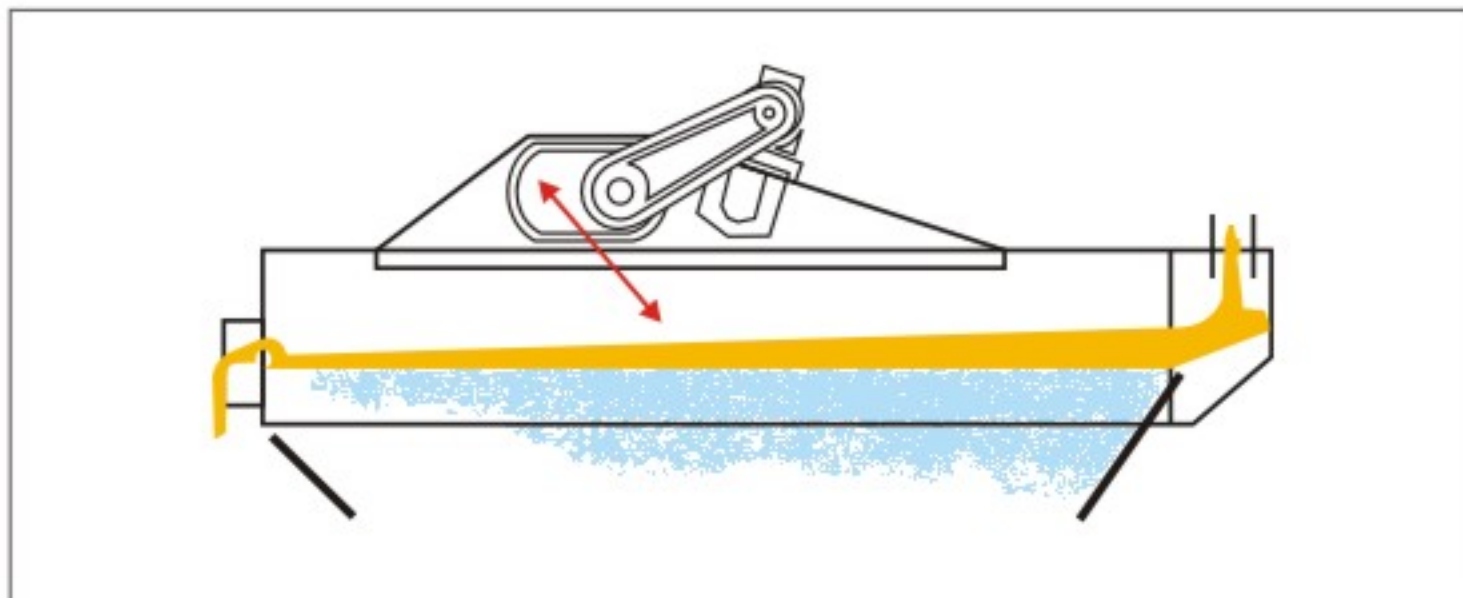
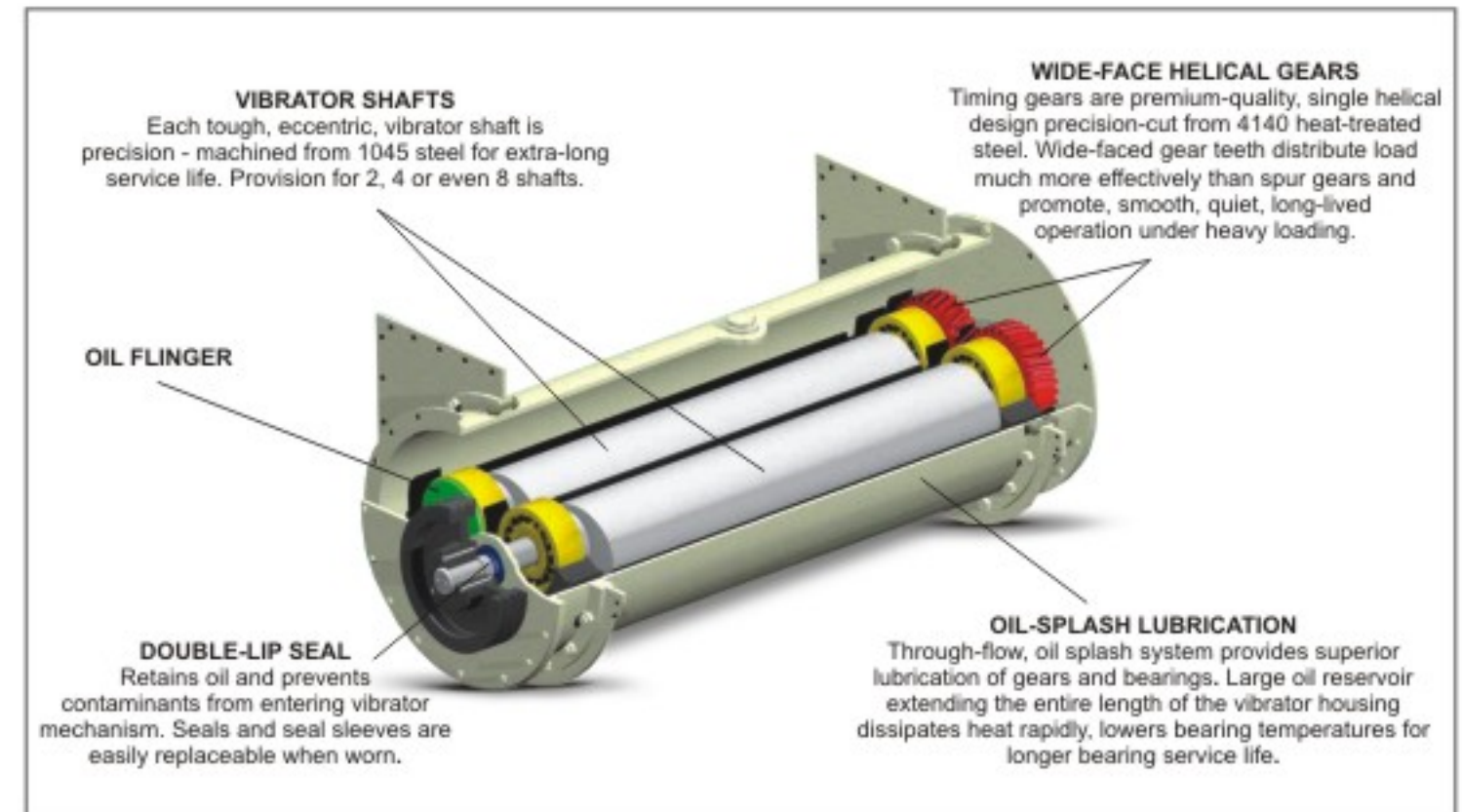
The Hewitt Robins Dewatering Screens come with many optional extras to suit the customers' requirement such as on-board motors, additional cross-dams, extra liners, adjustable discharge lips, rear draining walls and a number of different types of screening media including polyurethane and stainless wedge wire.



Hewitt Robins Dewatering Screens are driven by the Eliptex vibrator unit which imparts a three-way motion to the screen.

- ▶ The Hewitt Robins Eliptex vibrator unit has a worldwide reputation for unmatched reliability, long life and minimal servicing.
- ▶ The linear motion achieved from the 2, 4 or even 8 eccentric shafts provides higher capacity screening and gives a cleaner product.
- ▶ The simple construction, rugged design and high quality components assures extra long wear life.

The linear motion quickly stratifies and turns material so that all sides of a particle are exposed to the deck openings. The result is a thorough screening, washing, dewatering and more accurate sizing.



EXCLUSIVE ELLIPTICAL MOTION						
ROTATION	45 - 45	135 - 315	225 - 225	315 - 135	<p>RESULTANT ELLIPTICAL MOTION</p>	<p>SHAFTS MOUNTED IN HORIZONTAL PLANE</p>
POSITION OF ECCENTRIC SHAFTS						
RESULTANT FORCES	THROW FORCE	COUPLE EFFECT	DOWNWARD FORCE	COUPLE EFFECT		